



NUC. Evolved.

The ML100 represents the next generation of small form factor industrial computing, packing Intel Broadwell processing into our toughest ever NUC enclosure.

logicsupply.com/ml100 

Compact Versatility

The ML100 Series blends high-performance IPC engineering with Intel's NUC form factor, resulting in a computer as versatile as it is compact.

Smart Design, Smart Gateway

Long lifecycle components, high performance cooling, and a forward thinking approach to enclosure architecture make the ML100 the ideal innovation platform.

Multi-screen Capable

Despite its diminutive size, the ML100 Series offers a full range of I/O connectivity, including USB 3.0, Gb LAN, and dual high definition video ports.



US Office

Phone: +1 802 861 2300
Email: info@logicsupply.com
www.logicsupply.com

EU Office

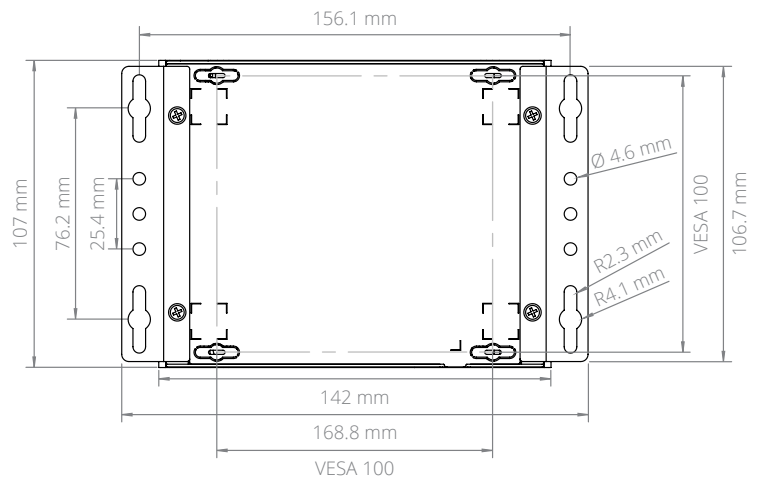
Phone: +31 85 2733760
Email: info@logicsupply.eu
www.logicsupply.com

Specifications

Front I/O	1 USB 2.0 port 1 USB 3.0 port 1 RS-232/422/485 COM port Power button	Memory Type	DDR3L SO-DIMM (non-ECC)
Rear I/O	2 USB 2.0 ports 2 Gb LAN port 1 Line-out connector 2 HDMI ports 1 DC Jack	Memory Capacity	Up to 8 GB
Processor	Intel Celeron N2930	Memory Speed	1333 MHz
Processor Speed	1.83 GHz	LAN Controller	Intel 82583V PCIe GbE
Processor Generation	Bay Trail	Input Voltage	9 ~ 24 V
Processor Cores	4	Power Input	DC jack
Graphics/GPU	Intel HD Graphics	Operating Temp. Range	0°C ~ 40°C
		Dimensions (WxHxD)	142 x 62 x 107 mm
		Case Material	Steel With Aluminum Extrusion
		Mounting	DIN-mount, VESA MIS-D 100 mount, Wall-mount

Dimensional Drawings

All measurements in mm

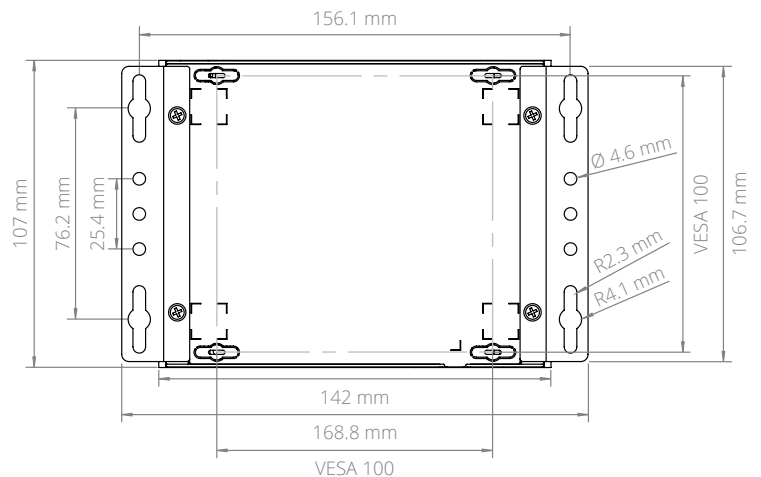


Specifications

Front I/O	2 USB 3.0 ports 1 mic/headphone connector 1 RS-232 COM port (optional) Power button	Memory Type	DDR3L SO-DIMM (non-ECC)
Rear I/O	2 USB 3.0 ports 1 Gb LAN port (with vPro on i5) 2 Mini-DisplayPorts 1 DC jack	Memory Capacity	Up to 16 GB
Processor	Intel Core i3/i5	Memory Speed	1600 MHz
Processor Speed	Configuration Dependent	LAN Controller	Intel I218LM GbE
Processor Generation	Broadwell	Input Voltage	12 ~ 19 V
Processor Cores	2	Power Input	DC jack
Graphics/GPU	Intel HD Graphics	Operating Temp. Range	0°C ~ 50°C
		Dimensions (WxHxD)	142 x 62 x 107 mm
		Case Material	Steel With Aluminum Extrusion
		Mounting Options	DIN-mount, VESA MIS-D 100 mount, Wall-mount

Dimensional Drawings

All measurements in mm

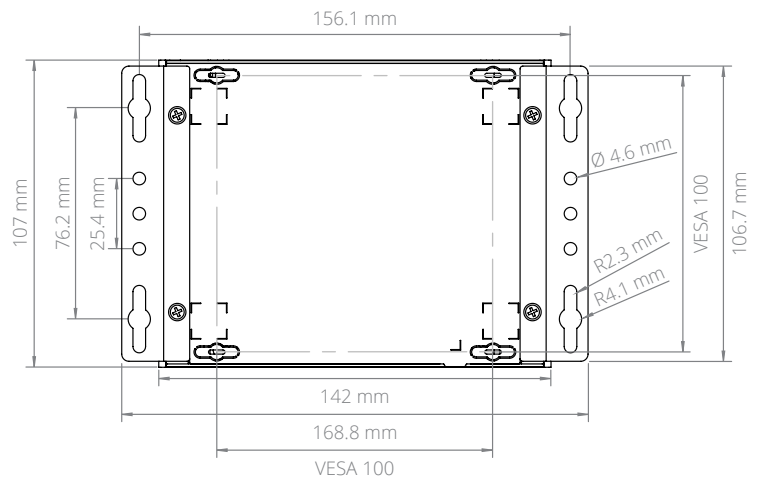
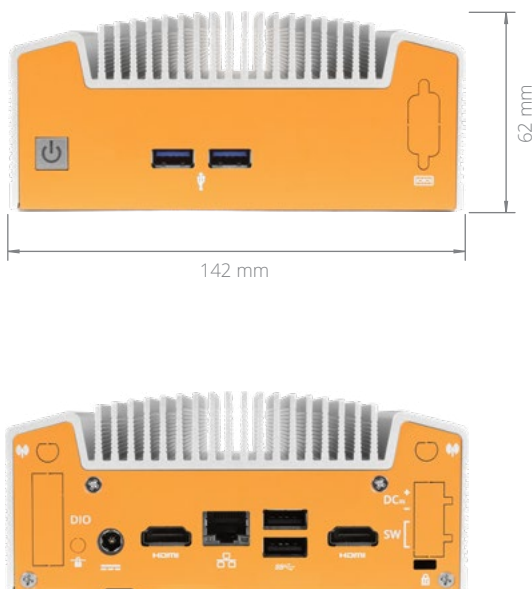


Specifications

Front I/O	2 USB 3.0 ports 1 Power Button	Memory Capacity	32 GB
Rear I/O	2 USB 3.0 ports 2 HDMI ports 1 Gb LAN port 1 DC jack (Terminal Block Power Optional)	Memory Speed	2133 MHz
Processor	Intel Core i3-7100U	LAN Controller	Intel I219LM GbE
Processor Speed	2.40 GHz (i3-7100U)	Input Voltage	12 ~ 24 V
Processor Generation	Kaby Lake	Power Input	DC jack
Processor Cores	2	Operating Temp. Range	0 ~ 40°C
Graphics/GPU	Intel HD Graphics 620	Dimensions (WxHxD)	142 x 62 x 107 mm 5.6" x 2.4" x 4.2"
Memory Type	DDR4 SO-DIMM (non-ECC)	Case Material	Steel with Aluminum Extrusion
		Mounting Options	DIN-mount VESA MIS-D 100 mount Wall-mount

Dimensional Drawings

All measurements in mm

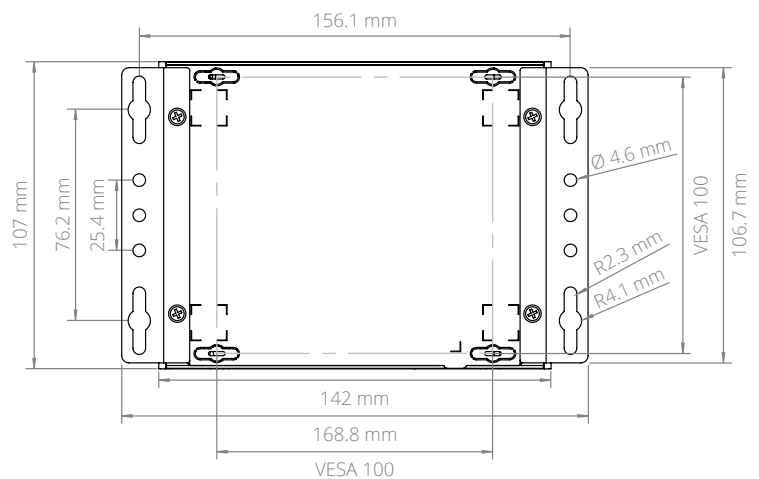


Specifications

Front I/O	1 USB 3.0 port 1 USB Type C 3.1 port 1 Audio jack; Speaker/Mic-in 1 Power button	Memory Type	DDR4 SO-DIMM (non-ECC)
Rear I/O	2 HDMI ports 1 DisplayPort 1 Gb LAN port 2 USB 3.0 ports	Memory Capacity	32 GB
Processor	Intel i5-6300U	Memory Speed	2133 MHz
Processor Speed	2.4 GHz	LAN Controller	Intel I219LM GbE
Processor Generation	Skylake	Input Voltage	12 V / 19 V
Processor Cores	2	Power Input	DC jack
Graphics/GPU	Intel HD Graphics	Operating Temp. Range	0°C ~ 40°C
		Dimensions (WxHxD)	142 x 62 x 107 mm
		Case Material	Steel With Aluminum Extrusion
		Mounting Options	DIN-mount, VESA MIS-D 100 mount, Wall-mount

Dimensional Drawings

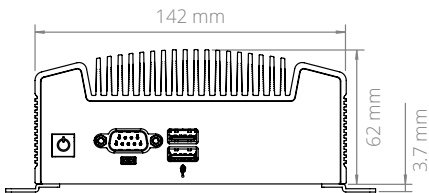
All measurements in mm



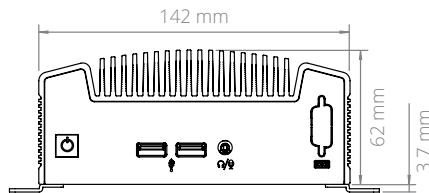
ML100 Dimensional Drawings

Industrial Fanless NUC Computer

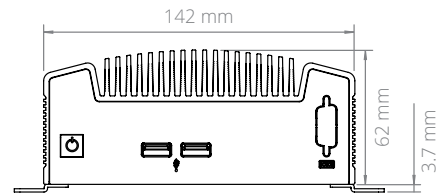
All measurements in mm



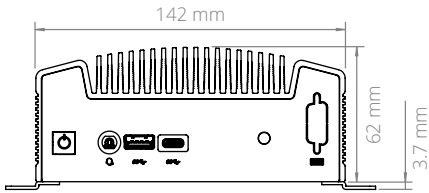
ML100G-10 FRONT



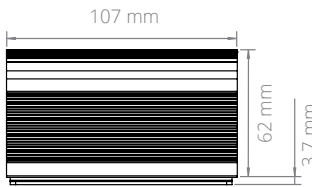
ML100G-30 FRONT



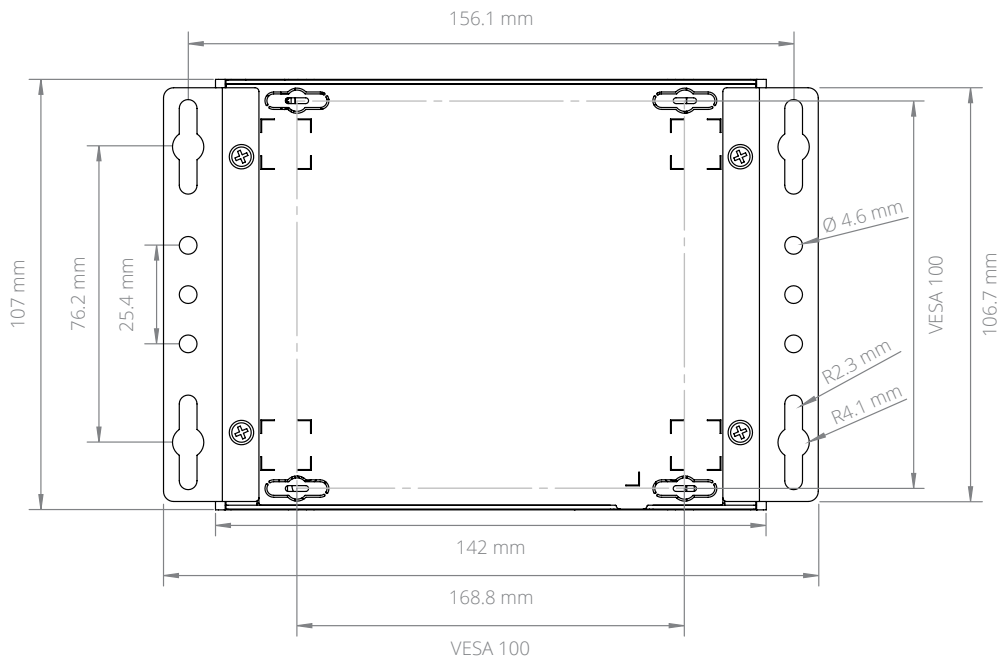
ML100G-31 FRONT



ML100G-50 FRONT



SIDE



BOTTOM

