

CUSTOMER

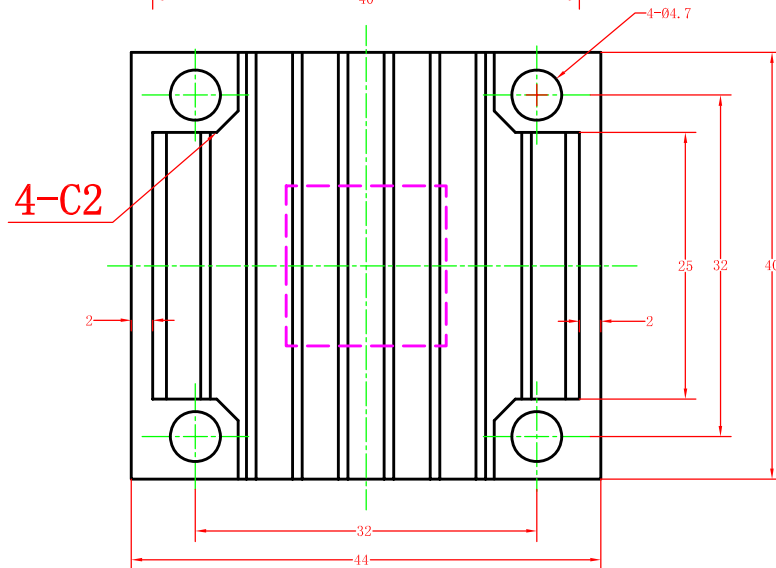
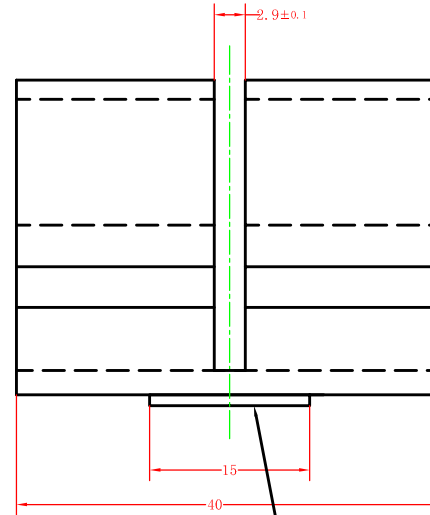
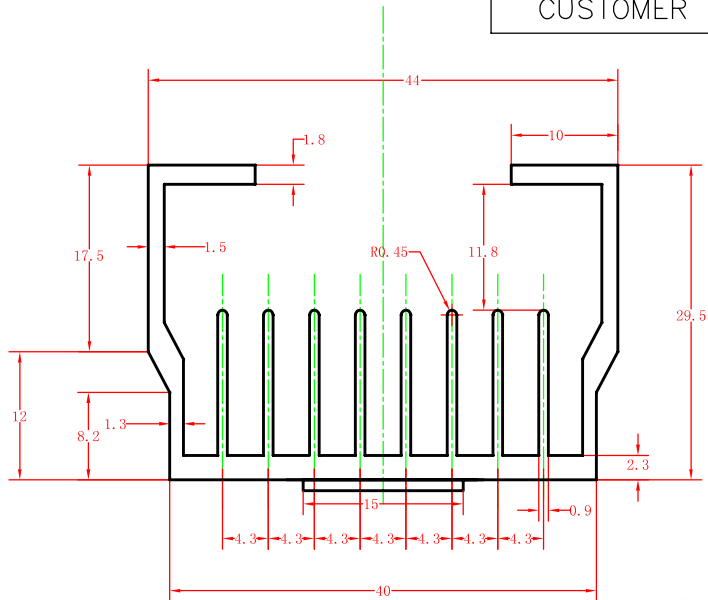
Ituner Networks Corp

DRAWING NAME

Heatsink

DWG.NO.

HB-0806-04



Tolerance	
Dim	Tol(±)
≤1	0.10
>1~2	0.12
>2~3	0.14
>3~4	0.15
>4~6	0.18
>6~12	0.20
>12~19	0.23
>19~25	0.25
>25~38	0.30
>38~50	0.36
>50~100	0.61
>100~150	0.86
>150~200	1.12
>200~250	1.37

DRAW		UNSPC.ANGLE	R0.1	
DESIGN		PERIMETER		
CHECK		SECTION AREA	308.8	SCALE 12-06-2008
RECHECK		WEIGHT kg/m	0.834	INDICATED
UNIT		MATERIAL	6063-T5	INDICATED MATCH SIZE
UNSPC.TK		CLASS	Super	STANDARD